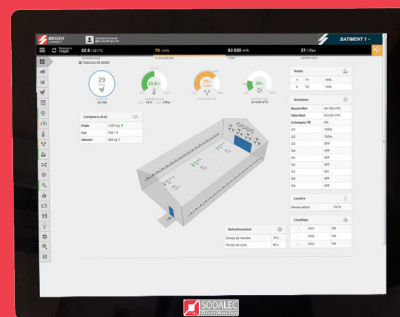


CONTROLLER



MEGAVI Connect



The controller of your poultry house

The MEGAVI Connect controller offers exceptional user-friendliness through its compatible range of touch interfaces : console, tablet and smartphone.

With high definition and optimal brightness, these displays are making the information reading particularly pleasant and offering the breeder an outstanding ease of use...

Easy to program and use

In the blink of an eye, the user arranges essential information for the fast control of his breeding : Synoptic, eventlog, statistics,... MEGAVI Connect keeps you updated at all time about your buildings status, informs you about the state of your installation.

All the tactile interfaces allow a simple and fast browsing through the menus and screens. Its «Full Web» interface allows to always have the same screens, whatever the support you are using (tablet, phone, computer...) even outside the breeding area...

Scalable and adapted to your needs

The MEGAVI Connect controller has an already built-in GALAXY2 communication system.

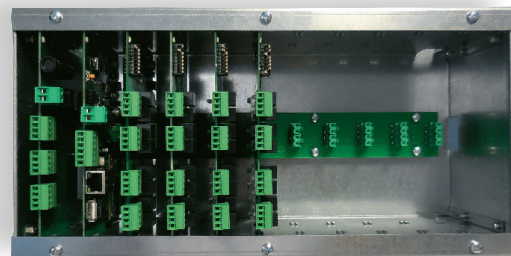
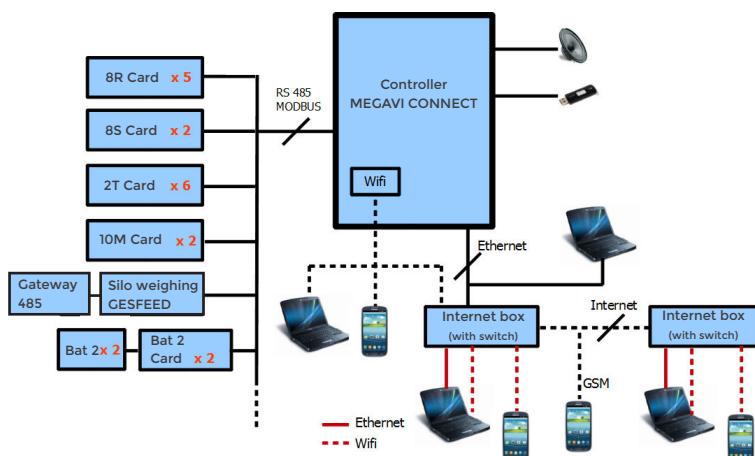
The card modules are mounted within a modular frame.

If needed, you can add plug-ins GALAXY2.

The MEGAVI Connect can thus control all the buildings, from the smallest to the biggest ones.



- Modular rack for GALAXY 2 I/O cards.
- GALAXY 2 Microprocessor Card with Ethernet and USB ports as standard.
- Possibility of pre-wired enclosure with power supplies.
- Touch interfaces as needed : 15" touch panel.
- The 15" touch panel can be mounted on an articulated arm (VESA Standards).
- Available GALAXY 2 Cards :
 - 8R Card : 8 Relay Outputs AON (All Or None),
 - 8S Card : 8 outputs 0-10 V,
 - 10M Card : 10 measurement inputs,
 - 2T Card : 2 complete control winches,
 - BAT 2 Card : animals weighing control
- Can be connected to SODALEC-BDD database and portal, via Internet, for back up and sharing flocks' information.
- Login and password access to controller, for a display adapted to the user: Initial, Advanced or Expert.



Rack with module cards



Built-in ventilation simulator

